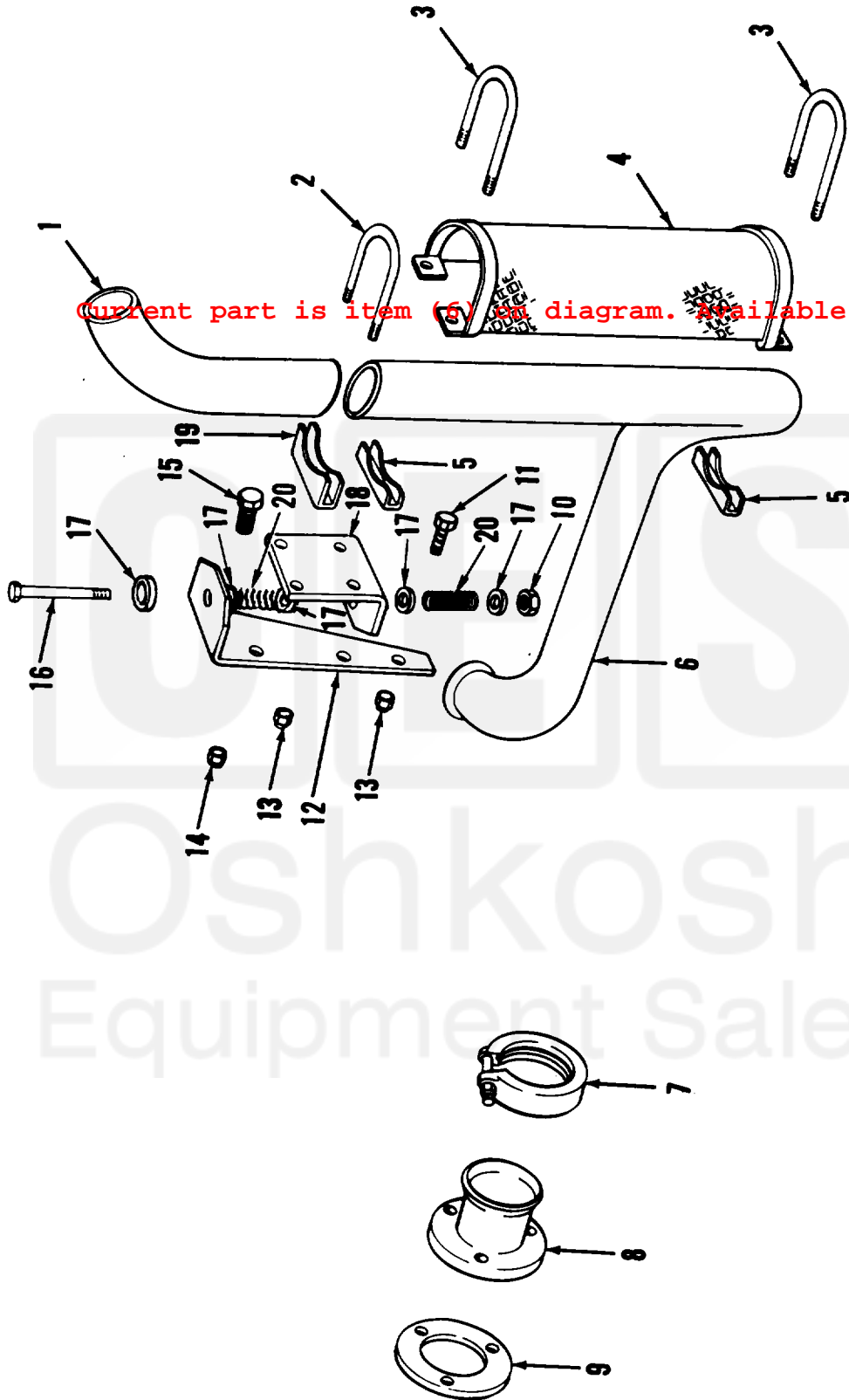


(1) SMR Code	(2) Federal Stock Number	(3) Description	(4) Unit of Meas.	(5) Qty	(6) 15-day Maintenance In Unit	(7) Organizational alw Illustration	(a) Figure	(b) Item No.			
Reference number & mfg. code			Usable on code	(a)	(b)	(c)	(d)	(a) Figure	(b) Item		
				1-5	6-20	21-50	51-100	No.	No.		
0401-MUFFLER AND PIPES-CONTINUED											
PAOZZ	5310-732-0559	NUT,PLAIN,HEXAGON: EXHAUST PIPE MS51968-8 (96906)	AB,AC	EA	12	*	*	*	*	38	10
PAOZZ	2990-291-7475	GASKET: EXHAUST PIPE 7348827 (19207)	AB,AC	EA	1	*	*	*	*	38	11
PAOZZ	2990-972-2605	CLAMP, ASSEMBLY: FRONT EXHAUST PIPE 48RUA297 (76040)	AB,AC	EA	1	*	*	*	*	38	12
PAOZZ	5305-269-2807	SCREW,CAP,HEXAGON HEAD: 3/8-24UNF-2A X 11/2IN., EXHAUST PIPE CLAMP MS90726-64 (96906)		EA	2	*	*	*	*	38	13
PAOZZ	2990-734-8826	CLAMP: EXHAUST PIPE 119076H (31007)		EA	2	*	*	*	*	38	14
PAOZZ	5310-950-0039	NUT,HEXAGON: EXHAUST PIPE MS21044N6 (96906)		EA	2	*	*	*	*	38	15
PAOZZ	2990-056-4798	PIPE,EXHAUST: FRONT 10938264 (19207)	AB,AC	EA	1	*	*	*	*	38	16
PAOZZ	2990-925-3968	PIPE,EXHAUST: EXTESION (DIESEL AND MULTIFUEL) 10938491 (19207)	AB,AC	EA	1	*	*	*	*	39	1
PAOZZ	5306-947-2327	BOLT, "U": EXHAUST PIPE (DIESEL AND MULTIFUEL) 11593178 (19207)	AB,AC	EA	1	*	*	*	*	39	2
PAOZZ	5306-944-6989	BOLT, "U": SHIELD TO BRACKET (DIESEL AND MULTIFUEL) 10938497 (19207)	AB,AC	EA	2	*	*	*	*	39	3
PAOZZ	2990-925-3967	SHIELD ASSEMBLY: (DIESEL AND MULTIFUEL) 10938495 (19207)	AB,AC	EA	1	*	*	*	*	39	4
PAOZZ	2990-925-3966	SADDLE CLAMP,EXHAUST: (DIESEL AND MULTIFUEL) 10938496 (19207)	AB,AC	EA	2	*	*	*	*	39	5
PAOZZ	2990-944-6981	PIPE,EXHAUST: (MULTIFUEL) 10938490 (19207)	AB	EA	1	*	*	*	*	39	6
PAOZZ		PIPE,EXHAUST: (DIESEL) 11608909 (19207)	AC	EA	1	*	*	*	*	39	6
PAOZZ	5340-947-2396	COUPLING,CALMP,GROOVE: EXAHOST PIPE TO ADAPTER (DIESEL AND MULTIFUEL) MS27116-17B (96906)	AB,AC	EA	1	*	*	*	*	39	7
XBOZZ		ADAPTER: EXHAUST PIPE TO TURBOCHARGER 11608765 (19207)	AB	EA	1					39	8
PAOZZ	5330-899-4481	GASKET: ADAPTER TO TURBOCHARGER 10889768 (19207)	AB	EA	1	*	*	*	*	39	9
PAOZZ	5310-768-0318	NUT, SELF-LOCKING,HEXAGON: MOUNTING BRACKET (DIESEL AND MULTIFUEL) MS51967-14 (96906)	AB,AC	EA	1	*	*	*	*	39	10

AT 47154



Current part is item (5) on diagram. Available at [www.oshkoshequip.com](http://www.oshkoshequip.com)

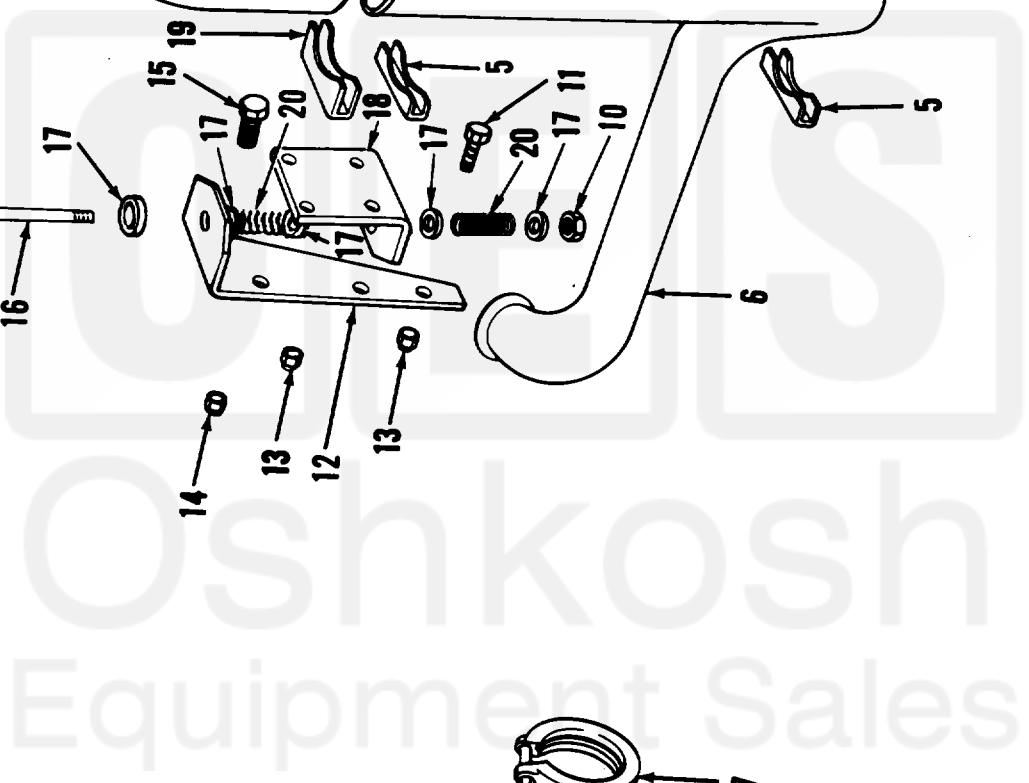


Figure 39. Vertical exhaust stack (multifuel and diesel).

Current part is item (6) on diagram. Available at [www.oshkoshequip.com](http://www.oshkoshequip.com)